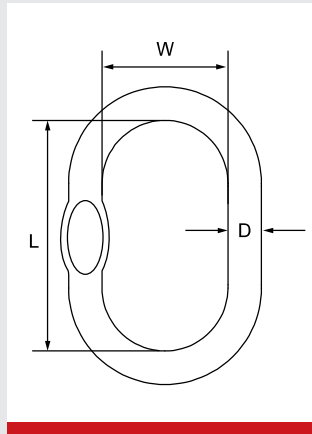




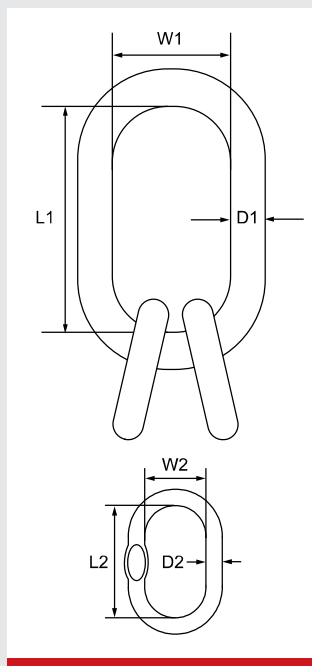
## GT Cobra Grade 80 Master Link



Product Code	Part No.	W.L.L. t	M.P.L. t	M.B.L. t	D mm	L mm	W mm	Welded	Weight kgs
G80ML11B4	11B4	2.1	3.4	8.4	11	83	40	Yes	0.2
G80ML13B6	13B6	2.7	4	10.8	13	115	60	Yes	0.4
G80ML16B6	16B6	4.1	6.15	16.4	16	120	70	Yes	0.6
G80ML16B7	16B7	3.2	4.5	12.8	16	190	100	Yes	0.9
G80ML20B6	20B6	6.7	10.8	26.8	20	150	80	Yes	1.1
G80ML20B7	20B7	6.5	9.8	26	20	170	90	Yes	1.3
G80ML22B6	22B6	8.2	12.9	32.8	22	170	90	Yes	1.56
G80ML22B7	22B7	7.2	10.6	28.8	22	210	110	Yes	1.9
G80ML22B8	22B8	5.8	8.7	23.2	22	270	140	No	2.5
G80ML25B6	25B6	10.7	16	42.8	25	190	100	Yes	2.3
G80ML28B6	28B6	12.9	20	51.6	28	210	110	Yes	3.2
G80ML28B7	28B7	11.8	17.7	47.2	28	270	140	Yes	2.5
G80ML32B6	32B6	17.1	25.6	68.4	32	270	140	Yes	5.3
G80ML38B6	38B6	28.1	43	112.4	38	270	140	Yes	7.5
G80ML38B7	38B7	19.1	28.7	76.4	38	420	220	Yes	11
G80ML45B6	45B6	38.3	57.4	153.2	45	320	170	No*	12.5
G80ML45B7	45B7	27.6	41.5	110.4	45	470	250	No*	17.5
G80ML50B6	50B6	45	67.5	180	50	380	200	No*	18
G80ML60B6	60B6	65.3	100	261.2	60	430	220	No*	28.85
G80ML70B6	70B6	84.4	130	337.6	70	500	250	No*	45.48

- Alloy steel, quenched and tempered.
- Red painted finish.
- Designed for use with 1 or 2 leg slings.
- Marked with material grade, manufacturers ID, product ID mark and traceability code.
- Certification available [2.1](#) [DoC](#)

## GT Cobra Grade 80 Quad Master Link Assembly



Product Code	Part No.	W.L.L. t	M.P.L. t	M.B.L. t	D1 mm	L1 mm	W1 mm	D2 mm	L2 mm	W2 mm	Weight kgs
G80QAQ16B	Q16B	4.1	6.3	16.4	16	120	70	13	95	54	1.2
G80QAQ20B	Q20B	6.5	9.8	26	20	170	90	16	120	70	2.5
G80QAQ22B	Q22B	8.2	12.3	32.8	22	170	90	20	150	80	3.8
G80QAQ23B	Q23B	5.8	8.7	23.2	22	270	140	16	150	75	3.3
G80QAQ25B	Q25B	10.7	16	42.8	25	190	100	20	150	80	4.5
G80QAQ28B	Q28B	12.9	20	51.6	28	210	110	22	170	90	6.4
G80QAQ29B	Q29B	11.8	17.7	47.2	28	270	140	20	140	70	5.6
G80QAQ32B	Q32B	17.1	25.6	68.4	32	270	140	25	190	100	9.9
G80QAQ38B	Q38B	28.1	43	112.4	38	270	140	32	270	140	18.2
G80QAQ45B	Q45B	38.3	57.4	153.2	45	320	170	38	270	140	26.8
G80QAQ50B	Q50B	45	67.5	180	50	380	200	38	270	140	33.2
G80QAMT26	MT26	70	111.3	280	70	450	250	50	280	160	70.2

- Alloy steel, quenched and tempered.
- Red painted finish.
- Designed for use with 3 or 4 leg slings.
- Marked with material grade, manufacturers ID, product ID mark and traceability code.
- Certification available [2.1](#) [DoC](#)